

GL PHOTOMETER 3.0 TEC

High sensitivity, Class L (DIN 5032-7:2017) photometer with thermally stabilized photodiode. Capable of extensive measurements of light flicker with high sampling rate (125 kHz) in addition to regular photometry. This device connects directly to PC by USB, to be controlled by GL Spectrosoft or dedicated API for external software use. It is prepared for goniometric measurements to work together with stray light eliminating tube. Such setup does not use optical elements responsible for cosine correction.

Features:

- Illuminance measurement Class L
- Thermally stabilized sensor
- High sensitivity for goniophotometry
- 125kHz 18bit sampling rate
- Super wide dynamic range in a single setting mode
- Controlled via USB connection



APPLICATION

Application High accuracy goniometric measurements, high quality flicker measurements including long term sampling.

MEASUREMENTS

| | | |
|---|----------------------------|-------|
| Measurement range | 0.0001 lx ... 1 000 000 lx | |
| Resolution | 4 significant digits | |
| Illuminance measurement class (DIN 5032-7:2017) | Class L | |
| Calibration uncertainty | U_{cal} | 1% |
| $v(\lambda)$ mismatch | f_1 | 1.50% |
| UV response | u | 0.20% |
| IR response | r | 0.20% |
| Cosine response | f_2 | - |
| Linearity | f_3 | 0.20% |

Note: Instrument, firmware and software specification are subject to change without prior notice. All information included in GL OPTIC datasheets and product information available in any form are carefully prepared and included information believed to be true. Please note that discrepancies may occur due to text and/or other errors or changes in the available technology. We advise to contact GL Optic before the use of the product to obtain the latest product specification.

GL OPTIC POLSKA Sp. z o.o.

ul. Poznańska 70, 62-040 Puszczykowo, Poland
Phone: +48 61 819 40 03 | E-mail: office@gloptic.com
www.gloptic.com



Light quality control

GL PHOTOMETER 3.0 TEC

MEASUREMENTS

| | | |
|----------------------------------|-------------|---------|
| Display unit | f_4 | 0.20% |
| Fatigue | f_5 | 0.10% |
| Temperature dependence | f_6 | 0.20% |
| Modulated Light | f_7 | 0.10% |
| | $f_7(f_u)$ | 5.00% |
| | $f_7(f_o)$ | 5.00% |
| Range change | f_{11} | 0.10% |
| Total quality index | f_{total} | 3% |
| Lower frequency limit for f_7 | f_u | 40 Hz |
| Higher frequency limit for f_7 | f_o | 100 kHz |
| Sampling frequency | | 125 kHz |
| A/D conversion | | 18 bit |

PROPERTIES

| | |
|------------------------|--|
| Operating temperature | 5 – 30 °C |
| Software | GL Spectrosoft or API for external software developers |
| Dimensions [H x W x D] | 115 mm x 66 mm x 53 mm |
| Weight | 420 g |
| Connectivity | USB A-B |
| Power | Barrel socket 2.5 mm x 0.7 mm, 12V DC, 1.5 A |
| Tripod adapter | 1/4" |

ORDERING INFORMATION

| | |
|--------------|-----|
| Case | ✓ |
| Power supply | ✓ |
| USB cable | ✓ |
| Part number | No. |

Note: Instrument, firmware and software specification are subject to change without prior notice. All information included in GL OPTIC datasheets and product information available in any form are carefully prepared and included information believed to be true. Please note that discrepancies may occur due to text and/or other errors or changes in the available technology. We advise to contact GL Optic before the use of the product to obtain the latest product specification.

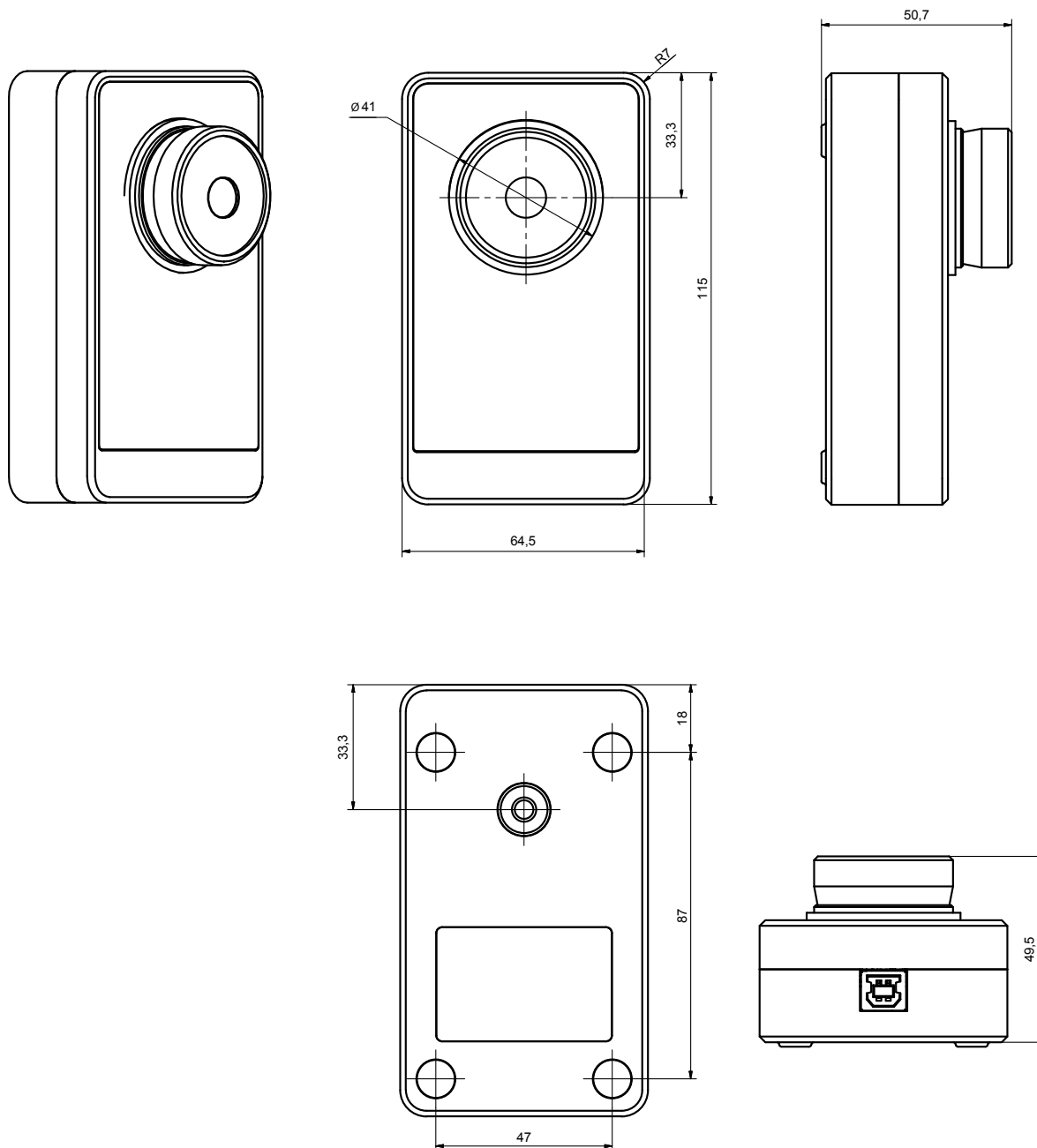
GL OPTIC POLSKA Sp. z o.o.

ul. Poznańska 70, 62-040 Puszczykowo, Poland
 Phone: +48 61 819 40 03 | E-mail: office@gloptic.com
www.gloptic.com



Light quality control

GL PHOTOMETER 3.0 TEC



Note: Instrument, firmware and software specification are subject to change without prior notice. All information included in GL OPTIC datasheets and product information available in any form are carefully prepared and included information believed to be true. Please note that discrepancies may occur due to text and/or other errors or changes in the available technology. We advise to contact GL Optic before the use of the product to obtain the latest product specification.

GL OPTIC POLSKA Sp. z o.o.

ul. Poznańska 70, 62-040 Puszczykowo, Poland
Phone: +48 61 819 40 03 | E-mail: office@gloptic.com
www.gloptic.com



Light quality control