

Technical Sheet

GL GONIO SPECTROMETER 30-1800

GLG-30-1800 is a goniometer system designed for the testing of large lamps and luminaires. Max load of over 30 kg and 1800 mm diameter will cover most of the demand for testing. Additionally the usable depth along horizontal axis up to 800 mm will help to test very long high bay lamps with extended radiators. This is also an ideal solution for long tubular architectural luminaires.

Features:

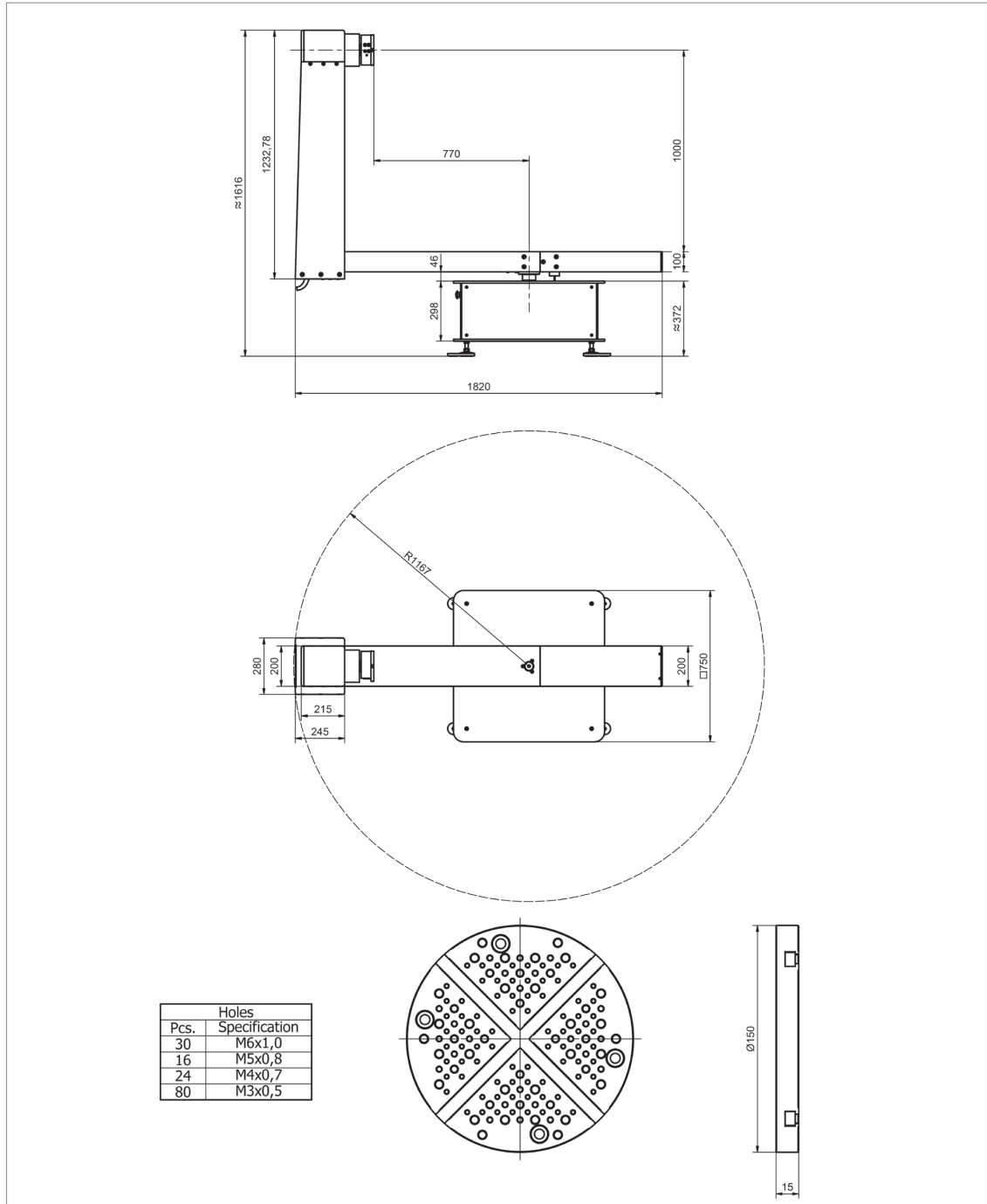
- Far Field Type C with the horizontal axis
- 3 axis stepper motors
- Angular resolution of 0.1°
- perfect for large LED modules and luminaires



APPLICATION	
Application	Large LED modules and large luminaires Compliance with the following: CIE121-1996, IESNA LM-79-08, CIE S 025/E:2015
TECHNICAL DATA SHEET	
CIE Goniometer type	Far Field Type C with horizontal optical axis – DUT moving – 3 axis stepper motors – Direct drive system
Angular range C axis	± 180°
Angular range γ axis	± 180° theoretical (usable depending on geometry due to shadowing)
Angular positioning precision	0.1°
Reproducibility C axis	0.004°
Reproducibility γ axis	0.004°
Angular speed C axis	up to 45°/s
Angular speed γ axis	up to 45°/s
DUT photometric center positioning	0 to 800 mm; stepper motor operated
Photometric distance	9 – 27 m Distance ≥ largest DUT dimension x(5 to 15); (CIE S 025/E:2015)
DUT mounting plate (bread board)	Round d=180 mm Fixing: multiple mounting holes: M3, M4, M5, M6; chuck with sliding blocks
Maximum DUT dimensions	≤ 1800 mm (diameter or diagonal)
Goniometer dimensions	750 x 1650 x 1950 mm (W x H x D)
Maximum operating footprint diameter	2400 mm
Maximum load	30 kg
Goniometer weight	80 kg
Power supply and max. Consumption	PC connection by USB A-B 110–230V 600W
Sensor type	GL OPTIC Spectrometer range: – GL Spectis 1.0 (recommended) – GL Spectis 1.0 Touch – GL Spectis 5.0 Touch – GL Photometer SLT 2.0
Product no.	201736

Technical Sheet

GL GONIO SPECTROMETER 30-1800



Note: Instrument, firmware and software specification are subject to change without prior notice. All information included in GL OPTIC datasheets and product information available in any form are carefully prepared and included information believed to be true. Please note that discrepancies may occur due to text and/or other errors or changes in the available technology. We advise to contact GL Optic before the use of the product to obtain the latest product specification.

GL Optic Lichtmesstechnik GmbH | Tobelwasenweg 24 | 73235 Weilheim/Teck | GERMANY | Tel.: +49 (0)7023 9504-20 | Fax: +49 (0)7023 9504-830 | office@gloptic.com | www.gloptic.com
 Geschäftsführer: Michael Gall | Sitz der Gesellschaft: Weilheim/Teck | Amtsgericht Stuttgart HRB746271 | USt-IdNr.: DE 292228248 | Steuer-Nr.: 69068/56239